



Two fundamental questions for a Cabalist

Does God exist ?

This is a good question for a Cabalist. To answer this question one must accept a truth that (nearly) everyone accepts (the existence of God) written in a letter, enclosed in a box, with characters of an unknown alphabet, without being able to open the box to try to read the letter. But (nearly) everyone agrees that the truth written in the letter exists and it is true.

Since those who are in agreement on that truth (God's existence) are men, and the head of men is the box that contains the letter, one has to go into that box, to understand. Understand what? Certainly not the content of the letter, written in a language indecifrabile, but at least how and why that truth of God's existence had ended up in the minds of men.

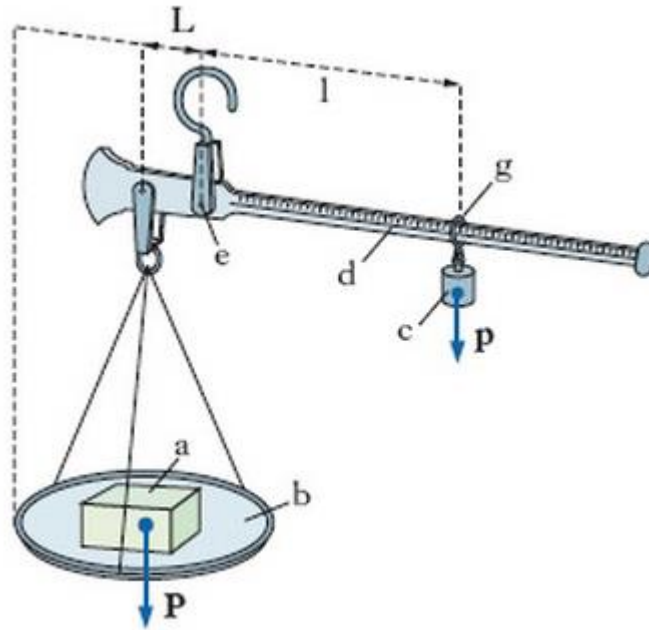
The method of analysis is that of the atomic scientists or rather the quantum physicists: it was necessary to prove the existence of something, of a body or of an elementary particle of which we know almost nothing, but its effects on the real world can be quantified in theory, if the theory is right.

One had to first find out whether the existence of God was written in the human DNA from the beginning. If the answer was yes, then the phenomenon of life would have indirectly confirmed that its origin was divine, as the shadow of a person confirms the presence of the person somewhere. There is no doubt that the idea of God is in our head, even in the head of the Atheist, because they must have an idea of what they deny, otherwise why would they bother to talk about the non-existence of God?

But there was a proof easier to understand. Why are my apricots and my mulberries so sweet ? If they were created by chance, why are they so sweet ? Every one understands why. To induce men and birds to eat them so their seeds will be spread around and cause other apricot trees and mulberry trees to grow. There is a purpose in life and in nature: growth. Hence there is a meaning, an objective. Even if we can't read the letter inside our box, we can guess that it contains some good news, some project that is favourable to life on Earth (and maybe elsewhere).

I, the Cabalist, continue to study that language, but there is no doubt in my mind that the unknown language is written in our DNA.

The second most important question is: will there be life after death ?



What happens after death?

I think I know, but I am (probably) only guessing.

Here is my idea. Take the equation :

$$1 = 1$$

where the two 1 appear to have the same value 1. In reality 1 is on the left of = and 1 is on its right. If I bring the 1 on the right to the left, its sign changes from + to - and I obtain :

$$1 - 1 = 0 \text{ (still a valid equation meaning : } 0 = 0 \text{)}$$

That means that the 1 on the right in reality is the opposite of the 1 on the left. He sign = is the fulcrum of the equation and it means zero.

Now because of the principle of conservation of energy (Emmy Noether), energy must be conserved even after death, therefore I can write :

$$\text{Energy of life} = \text{Energy beyond life}$$

and the sign = is the zero of the equation meaning death.

Now I can bring the member on the right to the left and I will get:

Energy of life – Energy beyond life = 0

What is the conclusion? Life will continue, but we will be transformed in antimatter and we could not come back because we would be immediately annihilated.

Right ?